

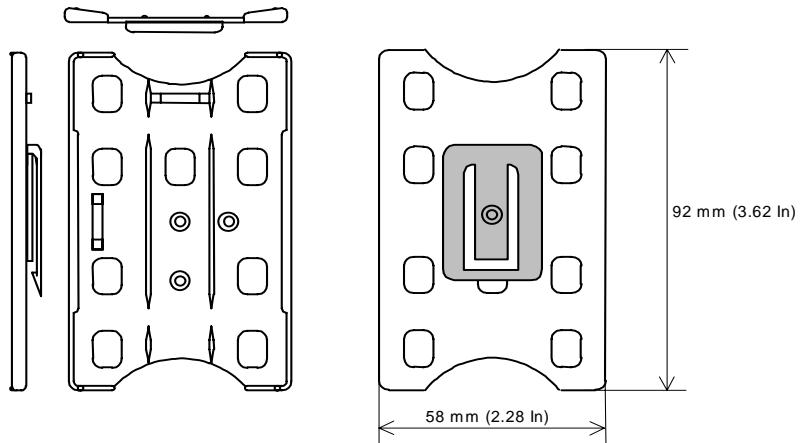


## S1953/00 CardKeep

**S1953 Cardkeep™** is recommended for attaching card tags to various objects. It can function either as a neat badge for personal identification, or as a snap in holder for tagging of various materials. A plastic clip is suitable for attaching on clothes and other soft materials. The clip allows rotation either for vertical or horizontal orientation. Cardkeep™ 1953 is designed so that a card can easily be slid into it, or be removed, without special tools. A strong design with a plastic wall along the edge prevents the card from bending and other mechanical damage. This wall also ensures that it stays safely in the holder, even if mechanical shocks should occur.

### Key User Advantages

- Easy to remove and attach the tag
- Vertical or horizontal badge use
- Plastic clip for attaching to objects
- Protecting edges



### Technical information S1953 Cardkeep™

Weight	10 g (0.35 Oz)
Colour Holder	black
Colour Clip	black
Material Holder	Polypropylen
Material Clip	Polypropylen
Marking	The product is marked CARDKEEP in relief.



**The basic elements** of a TagMaster identification system are the electronic ID-Tags and the Readers. TagMaster provides a full-range of high performance RFID products operating in the license free 2.45GHz band. The system uses backscattering technique to identify semi-passive ID-Tags, which are always active and thus requiring no start-up time. The readers operates stand-alone or as units controlled by a host. With the comprehensive development environment it is possible to customise the reader firmware as well as the host software. User-selectable operating frequencies and easy programming open up for straightforward on-site adjustments by the operator.

TagMaster's RFID readers are designed for maximum reliability, performance and user flexibility. Over 1000 running installations worldwide prove the value of the TagMaster RFID technology to its customers.

TagMaster ID-Tags	TagMaster Readers	TagMaster Accessories
<p> <b>S1251/00</b> ScriptTag  <b>S1255/00</b> MarkTag  <b>S1260/00</b> CombiTag  <b>S1260/10</b> CombiTag  <b>S1370/00</b> CableTag*  <b>S1450/00</b> ScriptTag HD  <b>S1455/00</b> MarkTag HD  <b>S1456/00</b> SpeedTag HD  <b>S1650/00</b> ScriptTag HD Ex  <b>S1655/00</b> MarkTag HD Ex  <b>S1656/00</b> SpeedTag HD Ex            * not released         </p>	<p> <b>S1500/00</b> WiseMan  <b>S1501/00</b> WatchMan  <b>S1501/02</b> PassMan  <b>S1503/00</b> WiseMan Long range  <b>S1504/02</b> PassMan Long range  <b>S1510/00</b> Handheld Reader  <b>S1566/00</b> Heavy Duty Reader  <b>S1569/00</b> HD Track Reader         </p>	<p> <b>S1951/00</b> WinFix  <b>S1953/00</b> CardKeep™  <b>S1954/00</b> CardTape  <b>S1956/00</b> PoleFix  <b>S1957/00</b> PoleFix LR  <b>S1958/00</b> Wallfix  <b>S1959/00</b> Wallfix LR         </p> <p> <b>TagMaster Software</b>            See separate software product sheets         </p>

**For more Readers and information see the TagMaster product Catalogue.**