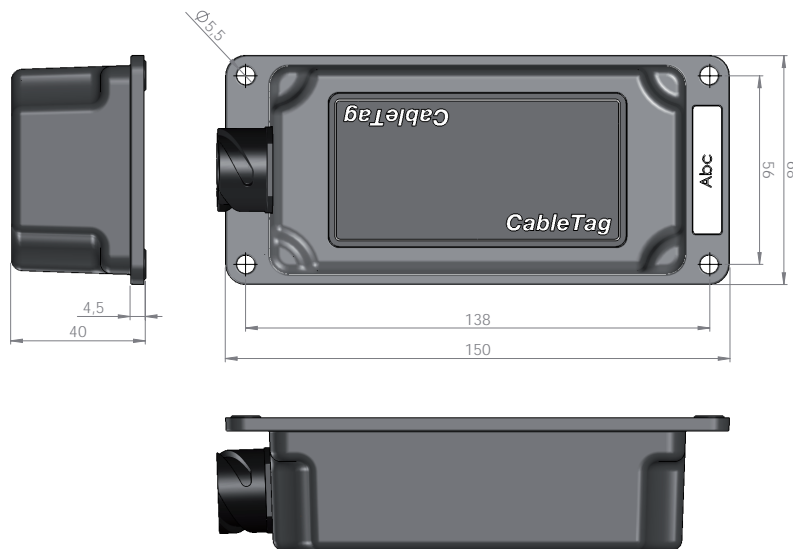




S1470 CableTag

The TagMaster S1470 CableTag is a 2.45 GHz RFID heavy-duty ID-tag which is programmable via a serial interface (RS485). The CableTag allows variable data from an external system to be stored in the tags programmable memory area, which is defined by the application and can utilise up to 574 bits. The variable data stored in the Cable Tag can be read by TagMaster's range of RFID Readers. The CableTag is physically connected to an external system and is also powered via the same cable. Designed for use in the railway industry, the CableTag is suitable for both vehicle mounted and track mounted applications. The CableTag provides demanding transportation applications with a reliable means of transferring variable data from one system to another, using TagMaster's RFID technology.



Technical information: S1470 CableTag

Operating frequency	CW: 2.435 to 2.465 GHz
Dimensions	150 x 68 x 40 mm / (5.9 x 2.7 x 1.6 in)
Weight	~180 g (0.4 lbs)
Power supply	10 to 30 VDC External DC supply (37.5 VDC applicable for S147001 version)
Power consumption	50 to 100 mA
Interface	RS485
Connector	6-pin male connector to MIL-C-5015
Operating temperature	-40 °C (-40 °F) to +70 °C (+158 °F)
Encapsulation	IP 67
Mounting	4 x mounting holes Ø 5.5 mm
Certificates*	CE, FCC and Railway Standards

* CURRENTLY BEING TESTED.